



HARENA LED

SPECIFICATION



Polycarbonate body



Circular Lens (LEDs version)

IP

IP42

IK

IK04

lm

0 lm - 120 lm



Duration: 1 - 3 h · Battery: LFP



Charging time: 12 h



Supply: 230 V - 50 Hz

LED

LED temperature: 4000 °K



Working temperature: 0 °C to +40 °C



AutoTest

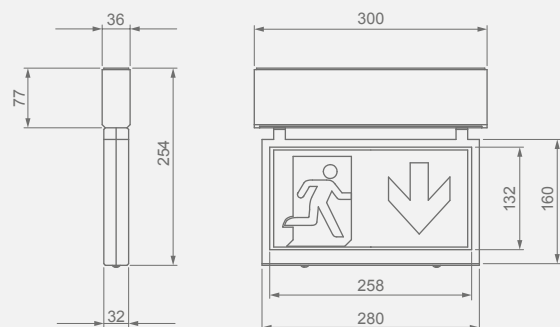


Wireless addressable monitoring

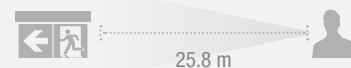


AutoTest & WSS Lithium

DIMENSIONS (mm)



VIEWING DISTANCE



STANDARDS COMPLIANCE

EN-60598-2-22
 Pictographs: EN ISO7010
 AutoTest: EN-62034
 Wireless: ETSI EN 300 220

CERTIFICATIONS

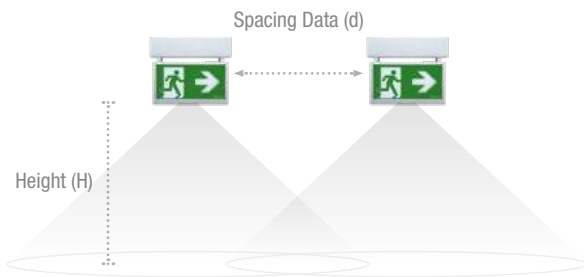


RANGE

| | Emer. | Mains | Type* | Dur. | Battery | Ref. |
|----------|--------|-------|-------|------|-----------------|--------------|
| AutoTest | 120 lm | 70 lm | M | 1 h | 3.2V 1.5A/h LFP | LHS3120LXP |
| | 120 lm | 70 lm | M | 3 h | 3.2V 3.0A/h LFP | LHS3120LXP3 |
| Wireless | 120 lm | 70 lm | M | 1 h | 3.2V 1.5A/h LFP | LHS3120LDPW |
| | 120 lm | 70 lm | M | 3 h | 3.2V 3.0A/h LFP | LHS3120LDP3W |

*M: Maintained.

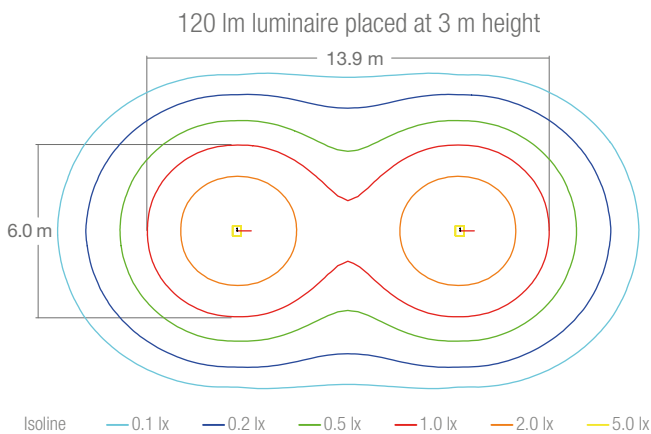
SPACING TABLE



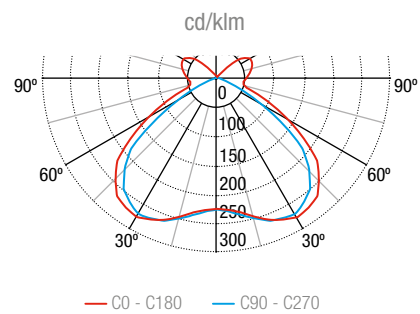
Spacing table calculated with 1 lux minimum illuminance

| Height (H) | Spacing Data (d) |
|------------|------------------|
| | 120 lm |
| 2.5 m | 7.7 m |
| 3 m | 8.3 m |
| 4 m | 9.0 m |
| 5 m | 9.1 m |
| 6 m | 6.5 m |

ISOLUX CURVE



PHOTOMETRIC GUIDE



ACCESSORIES

It is supplied with a complete set of green pictograms



For other pictograms, please see references below



Included



Under request



Under request



Under request