



HARENA

SPECIFICATION



Polycarbonate body



Circular Lens (LEDs version)

IP

IP42

IK

IK04



Duration: 1 - 3 h · Battery: LFP



Charging time: 12 h



Supply: 230 V - 50 Hz

LED

LED temperature: 4000 °K



Working temperature: 0 °C to +40 °C



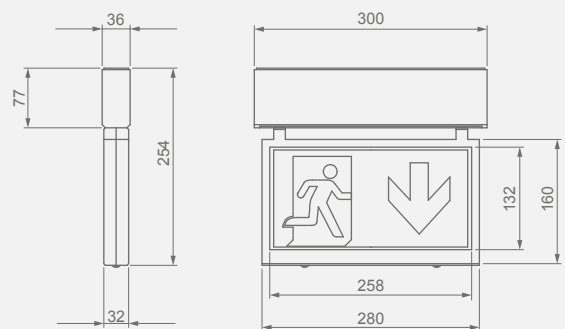
AutoTest



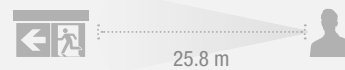
Wireless addressable monitoring



DIMENSIONS (mm)



VIEWING DISTANCE



STANDARDS COMPLIANCE

EN-60598-2-22
 Pictographs: EN ISO7010
 AutoTest: EN-62034
 Wireless: ETSI EN 300 220

CERTIFICATIONS



RANGE

	Type*	Dur.	Battery	Ref.
AutoTest	M	1 h	3.2V 1.0A/h LFP	LHS3070LXP
	M	3 h	3.2V 1.5A/h LFP	LHS3070LXP3
Wireless	M	1 h	3.2V 1.0A/h LFP	LHS3070LDPW
	M	3 h	3.2V 1.5A/h LFP	LHS3070LDP3W

*M: Maintained.

ACCESSORIES

It is supplied with a complete set of green pictograms

