



PFL

SPECIFICATION



Polycarbonate body



2x LED Spotlight

IP

IP42

IK

IK04

lm

1 500 lm - 3 300 lm



Duration: 1 - 3 h · Battery: LFP



Charging time: 12 h



Supply: 230 V - 50 Hz

LED

LED temperature: 4000 °K



Working temperature: 0 °C to +40 °C



AutoTest

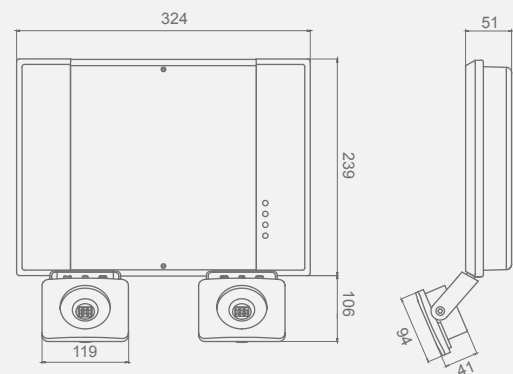


Wireless addressable monitoring



AutoTest & WSS Lithium

DIMENSIONS (mm)



STANDARDS COMPLIANCE

EN-60598-2-22

AutoTest: EN-62034

Wireless: ETSI EN 300 220

CERTIFICATIONS

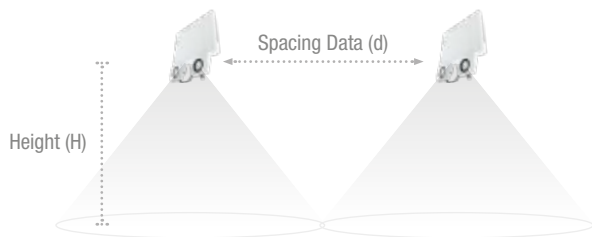


RANGE

	Emergency	Type*	Dur.	Battery (Units/Ah)	Ref.
AutoTest	1 500 lm	NM	1 h	12.8V 3.0A/h LFP	PFL1500LX
	3 300 lm	NM	1 h	2 x 12.8V 3.0A/h LFP	PFL3000LX
	1 500 lm	NM	3 h	2 x 12.8V 3.0A/h LFP	PFL1500LX3
Wireless	1 500 lm	NM	1 h	12.8V 3.0A/h LFP	PFL1500LDW
	3 300 lm	NM	1 h	2 x 12.8V 3.0A/h LFP	PFL3000LDW
	1 500 lm	NM	3 h	2 x 12.8V 3.0A/h LFP	PFL1500LD3W

*NM: Non Maintained. The luminaire operates from emergency supply only upon failure of the normal mains supply.

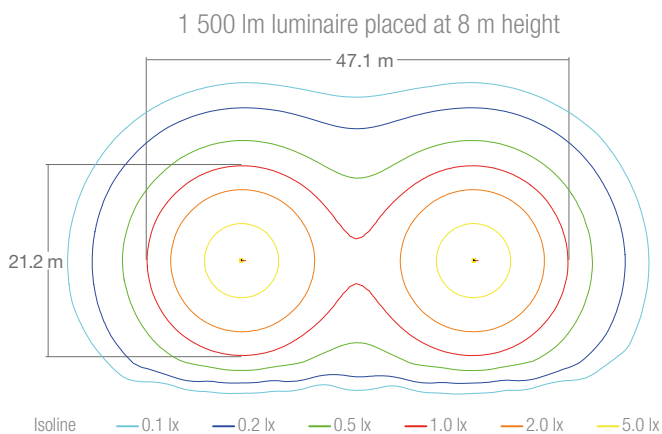
SPACING TABLE



Spacing table calculated with 1 lux minimum illuminance

Height (H)	Spacing Data (d)	
	1 500 lm	3 300 lm
6 m	23.9 m	28.5 m
8 m	27.5 m	33.5 m
10 m	29.8 m	37.6 m
12 m	31.6 m	40.9 m
14 m	32.7 m	43.3 m

ISOLUX CURVE



PHOTOMETRIC GUIDE

