



IP 65

Ingress Protection

1 2 3 4 5 6

Protection from Solids (dust, dirt...)

1 2 3 4 5 6 7 8 9

Protection from Liquids (water...)

Totally dust tight. Full protection against dust and other particles, including a vacuum seal, tested against continuous airflow. Protected against heavy seas or powerful jets of water.

IK 10

Impact Rating

Impact Protection

00 01 02 03 04 05 06 07 08 09 10

Protected against 20 joules of impact (the equivalent to the impact of a 5kg mass dropped from 400mm above the impacted surface)



SPAZIO OUTDOOR

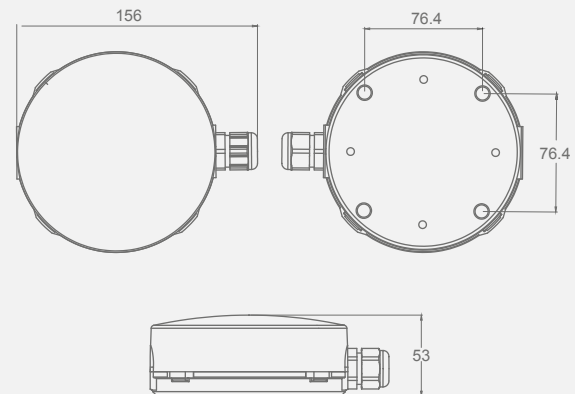
SPECIFICATION

- Polycarbonate body
- Diffuser: Transparent Polycarbonate
- IP65
- IK10
- 170 lm - 425 lm
- Duration: 1 h · Battery: LFP
- Charging time: 24 h.
- Supply: 230 V - 50 Hz
- LED temperature: 4000 °K
- Working temperature: -10 °C to +40 °C
- AutoTest
- Wireless addressable monitoring



AutoTest & WSS Lithium

DIMENSIONS (mm)



STANDARDS COMPLIANCE

EN-60598-2-22
AutoTest: EN-62034
Wireless: ETSI EN 300 220
DALI: EN 62386

CERTIFICATIONS



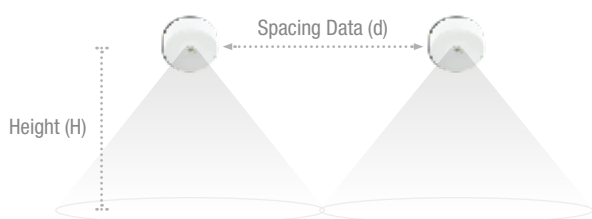
RANGE



	Emergency	Mains	Type*	Dur.	Battery	Ref.
AutoTest	425 lm	250 lm	M/NM	1 h	3.2V 1.5A/h LFP	LUT3400LXP
	170 lm	100 lm	M/NM	3 h	3.2V 1.5A/h LFP	LUT4170LXP3
Wireless	425 lm	250 lm	M/NM	1 h	3.2V 1.5A/h LFP	LUT3400LDPW
	170 lm	100 lm	M/NM	3 h	3.2V 1.5A/h LFP	LUT4170LDP3W
DALI	250 lm	150 lm	M/NM	1 h	3.2V 1.5A/h LFP	LUT3252LAP
	425 lm	250 lm	M/NM	1 h	3.2V 1.5A/h LFP	LUT3400LAP
	170 lm	100 lm	M/NM	3 h	3.2V 1.5A/h LFP	LUT4170LAP3

*M/NM: Maintained/Non Maintained. With a third terminal which allows to switch off/on the Maintained mode when connected to mains supply. For version in black colour, add an 'N' at the end of the reference.

SPACING TABLE

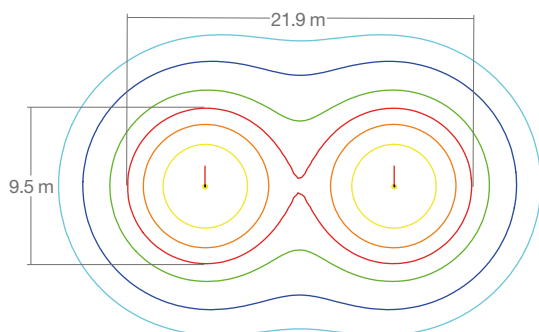


Spacing table calculated with 1 lux minimum illuminance

Height (H)	Spacing Data (d)	
	170 lm	425 lm
2.5 m	8.5 m	11.0 m
3 m	9.1 m	11.9 m
4 m	10.0 m	13.4 m
5 m	10.5 m	14.6 m
6 m	10.7 m	15.5 m

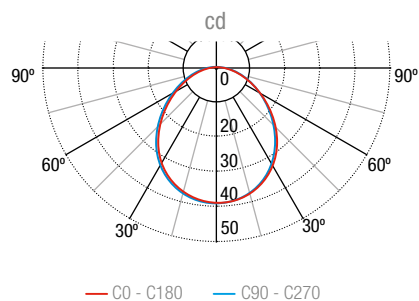
ISOLUX CURVE

425 lm luminaire placed at 3 m height



Isoline — 0.1 lx — 0.2 lx — 0.5 lx — 1.0 lx — 2.0 lx — 5.0 lx

PHOTOMETRIC GUIDE



Please contact us for optical information on reference LUT3252LAP (asymmetrical wall lens).

