



Screen- printed pictogram. Please look for the reference you need on Range table

# SPAZIO SIGN

## SPECIFICATION



Polycarbonate body

IP

IP40

IK

IK04



Duration: 1 - 3 h · Battery: LFP



Charging time: 12 h



Supply: 230 V - 50 Hz

LED

LED temperature: 4000 °K



Working temperature: 0 °C to +40 °C



AutoTest

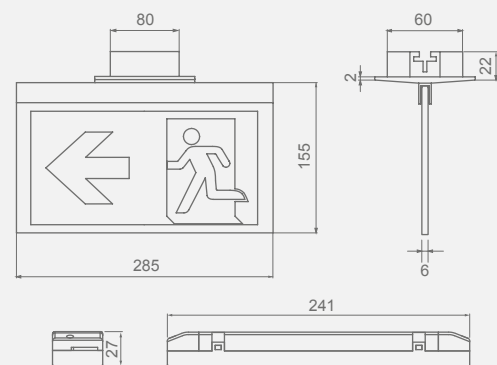


**WARRANTY**

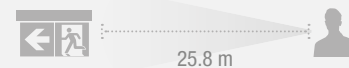
**5**  
YEAR

AutoTest & WSS Lithium

## DIMENSIONS (mm)



## VIEWING DISTANCE



## STANDARDS COMPLIANCE

EN-60598-2-22  
Pictographs: EN ISO7010  
AutoTest: EN-62034  
Dali: EN 62386

## CERTIFICATIONS



RANGE

	Type*	Pictogram	Dur.	Battery	Ref.
AutoTest	M	Right / Left	1 h	3.2V 1.0A/h LFP	LSS3045LXP
	M	Up / Down	1 h	3.2V 1.0A/h LFP	LSS3046LXP
	M	Right / Left	3 h	3.2V 1.5A/h LFP	LSS3045LXP3
	M	Up / Down	3 h	3.2V 1.5A/h LFP	LSS3046LXP3
DALI	M	Right / Left	1 h	3.2V 1.0A/h LFP	LSS3045LAP
	M	Up / Down	1 h	3.2V 1.0A/h LFP	LSS3046LAP
	M	Right / Left	3 h	3.2V 1.5A/h LFP	LSS3045LAP3
	M	Up / Down	3 h	3.2V 1.5A/h LFP	LSS3046LAP3

\*M: Maintained.

