

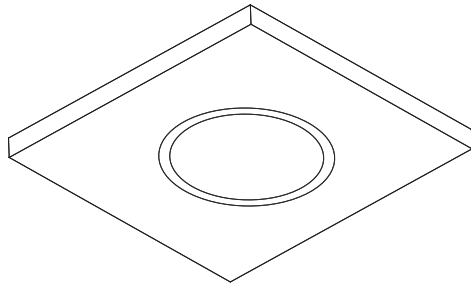
ZEMPER

**ACC.
CLASSIC**

ÍNDICE / INDEX / INDEX / INDEX / INDEX / INDICE

1. **ATE22201**: Montaje Classic enrasada en techo/ Flushing with ceiling mounting/Montage classic affleurant un plafond / Classic plafondbouwmontage / Classic innfelt montering i tak / Montaggio Classic a incasso nel soffitto 3
2. **APR22201**: Montaje Classic enrasada en pared/ Flushing with wall mounting/Montage Classic affleurant un mur / Classic wandinbouwmontage /Classic innfelt montering i vegg / Classic Montaggio a incasso a parete 4
2. **APS22201**: Montaje Classic semiempotrada en pared / Classic semi-recessed wall mounting / Montage CLASSIC semi-encasté au mur / Classic wand-halfinbouwmontage / Classic halvinnfelt montering i vegg / Montaggio Classic a semincasso a parete 5

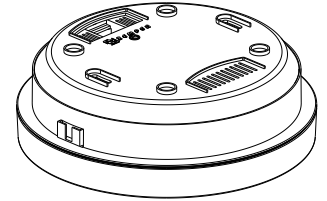
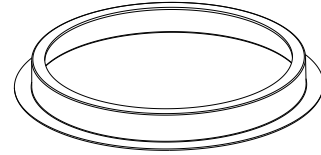
ZEMPER



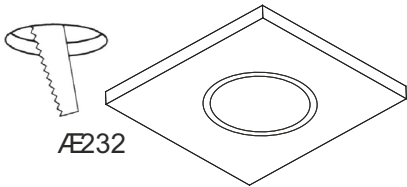
ATE22201
CLASSIC

Presentación/Presentation/Présentation/ Presentatie / Presentasjon

Conforme a / According to / Conforme à / I henhold til /
/ Volgens EN60598-2-22

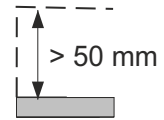


1 Instalación / Installation / Installation / Installatie / Installasjon

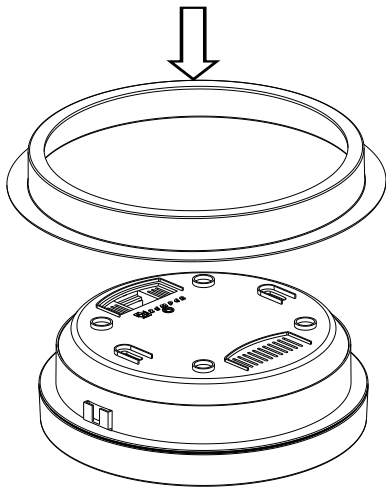


AE232

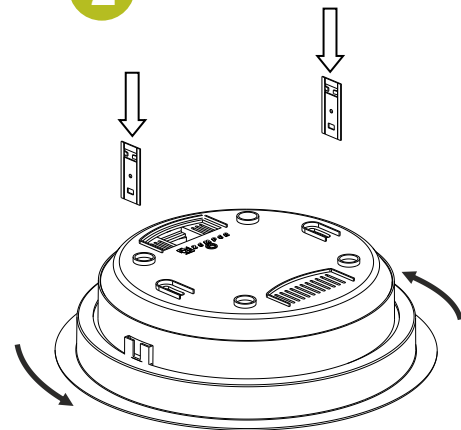
Altura de falso techo
Height of false ceiling
Hauteur du faux plafond
Hoogte verlaagd plafond
Høyde på undertak
Altezza del controsoffitto



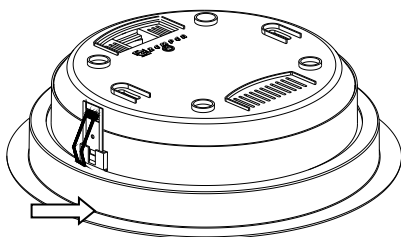
1



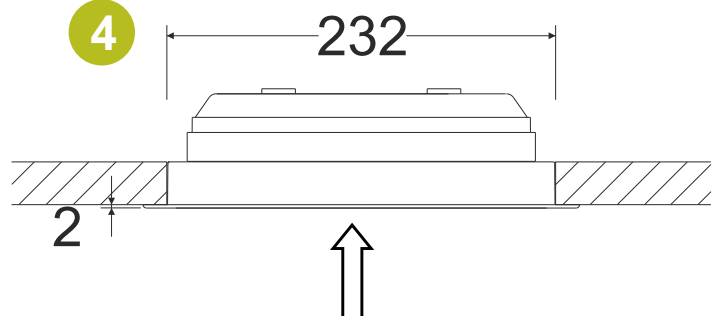
2



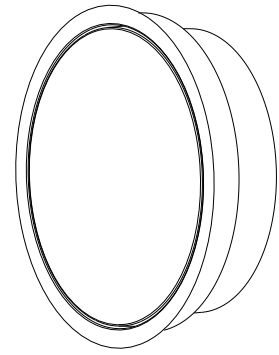
3



4



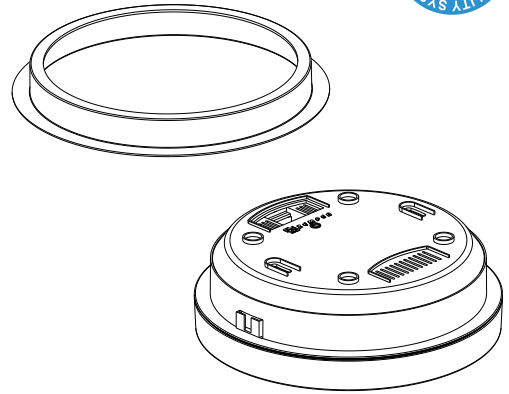
ZEMPER



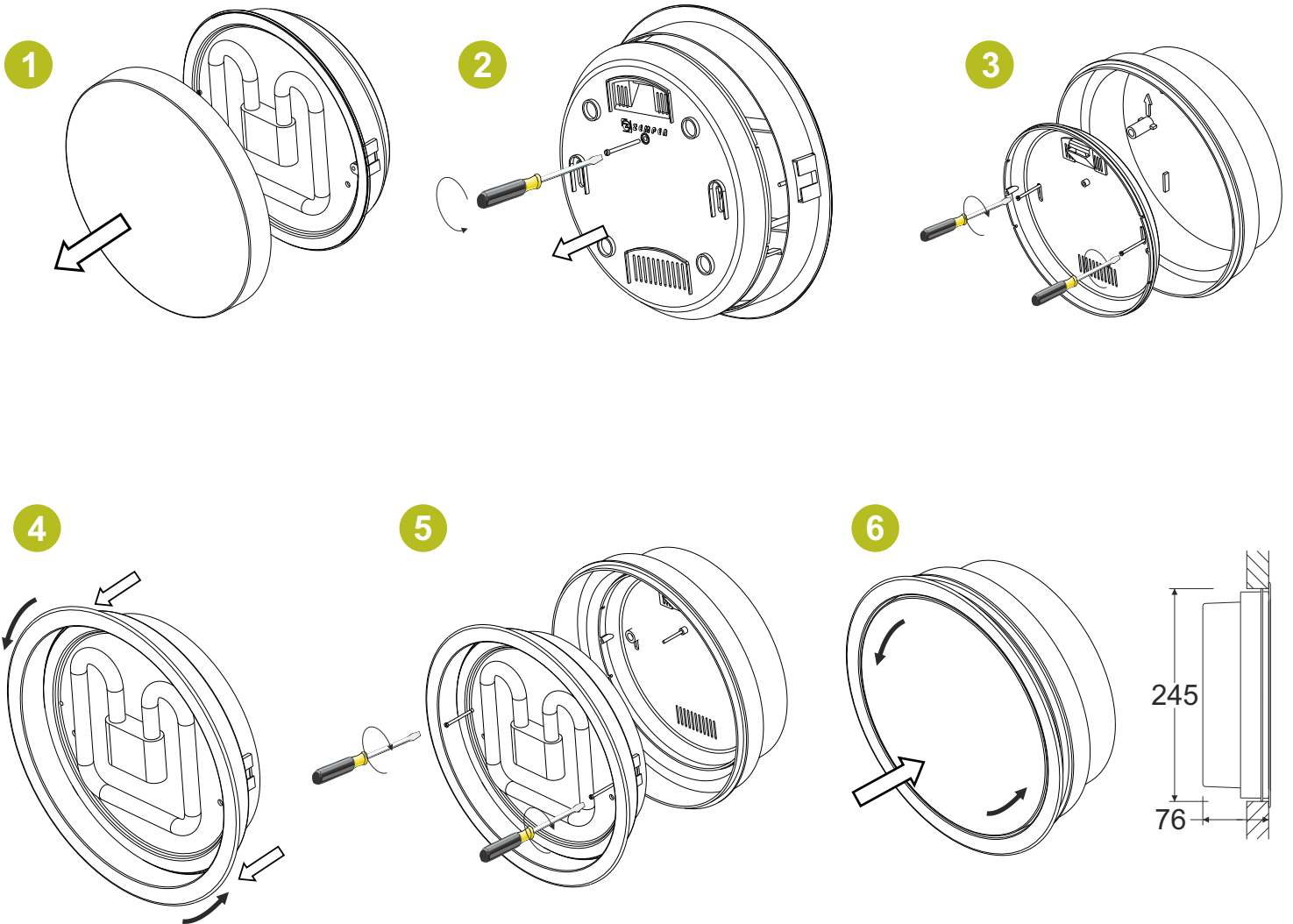
APR22201
CLASSIC

Presentación/Presentation/Présentation/ Presentatie / Presentasjon

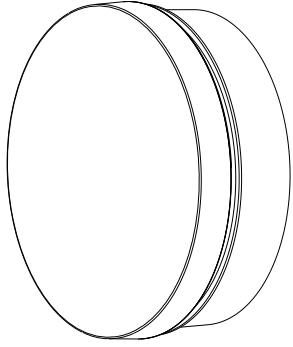
Conforme a / According to / Conforme à / I henhold til /
/ Volgens EN60598-2-22



1 Instalación / Installation / Installation / Installatie / Installasjon



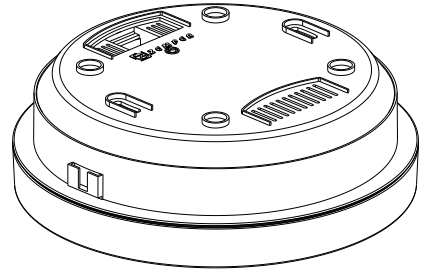
ZEMPER



APS22201
CLASSIC

Presentación/Presentation/Présentation/ Presentatie / Presentasjon

Conforme a / According to / Conforme à / I henhold til /
/ Volgens EN60598-2-22



1 Instalación / Installation / Installation / Installatie / Installasjon

