



Real size



SPAZIO MINI

Patent Pending

SPECIFICATION



Polyamide body



Escape route lens - D
Anti-panic lens - R

IP

IP42

IK

IK04

lm

165 - 280 lm



Duration: 1 - 3 h · Battery: LiFePO₄



Charging time: 12 h



Supply: 230 V - 50 Hz

LED

LED temperature: 4000 °K



Working temperature: 0 °C to +40 °C



AutoTest



SmartZ®

AutoTest, SmartZ®
& DALI-2 Lithium

WARRANTY
5
YEAR



STANDARDS COMPLIANCE

EN-60598-2-22

AutoTest: EN-62034

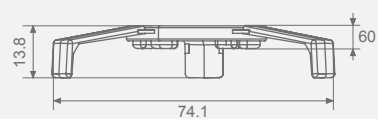
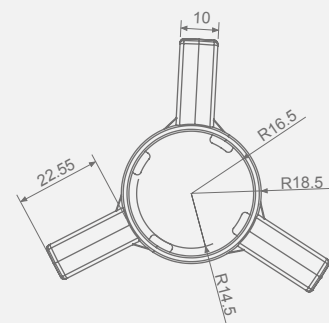
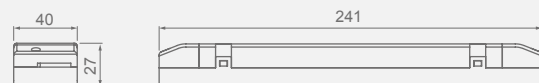
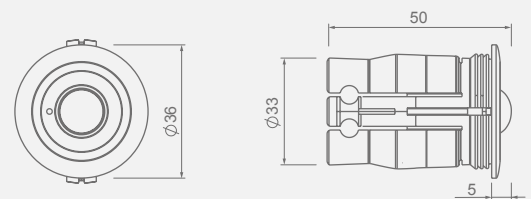
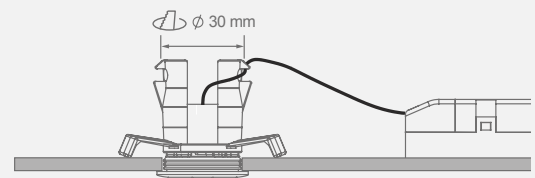
DALI-2: EN 62386

Wireless SmartZ®: ETSI EN 303 447-1

CERTIFICATIONS




DIMENSIONS (mm)



Fixing system that allows mounting on any thickness of suspended ceiling, including metal ceilings with a thickness less than 6 mm.

RANGE

| | Emergency | Mains | Type* | Lens** | Dur. | Battery | Ref. |
|---|-----------|--------|-------|--------|------|---------------------------------|-------------|
| AutoTest | 280 lm | | NM | R | 1 h | 3.2V 1.5A/h LiFePO ₄ | LMR9250LX |
| | 280 lm | | NM | D | 1 h | 3.2V 1.5A/h LiFePO ₄ | LMR9251LX |
| | 280 lm | 150 lm | M/NM | R | 1 h | 3.2V 1.5A/h LiFePO ₄ | LMR9250LXP |
| | 280 lm | 150 lm | M/NM | D | 1 h | 3.2V 1.5A/h LiFePO ₄ | LMR9251LXP |
|  | 280 lm | 150 lm | M/NM | R | 1 h | 3.2V 1.5A/h LiFePO ₄ | LMR9250LAP |
| | 280 lm | 150 lm | M/NM | D | 1 h | 3.2V 1.5A/h LiFePO ₄ | LMR9251LAP |
| | 165 lm | 100 lm | M/NM | R | 3 h | 3.2V 1.8A/h LiFePO ₄ | LMR9170LAP3 |
| | 165 lm | 100 lm | M/NM | D | 3 h | 3.2V 1.8A/h LiFePO ₄ | LMR9171LAP3 |
| Wireless SmartZ® | 280 lm | 150 lm | M/NM | R | 1 h | 3.2V 1.5A/h LiFePO ₄ | LMR9250LWP |
| | 280 lm | 150 lm | M/NM | D | 1 h | 3.2V 1.5A/h LiFePO ₄ | LMR9251LWP |
| | 165 lm | 100 lm | M/NM | R | 3 h | 3.2V 1.8A/h LiFePO ₄ | LMR9170LWP3 |
| | 165 lm | 100 lm | M/NM | D | 3 h | 3.2V 1.8A/h LiFePO ₄ | LMR9171LWP3 |

*NM: Non Maintained. The luminaire operates from emergency supply only upon failure of the normal mains supply.

*M/NM: Maintained/Non Maintained. With a third terminal which allows to switch off/on the Maintained mode when connected to mains supply.

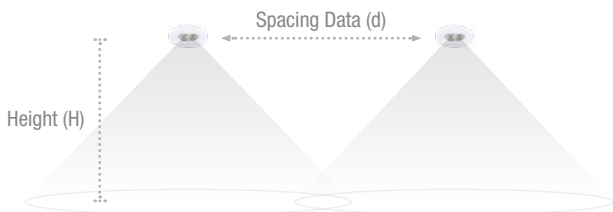
**R: Round Lens (Anti-panic) / D: Directional Lens (Escape route)

For version in black colour, add an 'N' at the end of the reference.

SPACING TABLE

ESCAPE ROUTE LENS

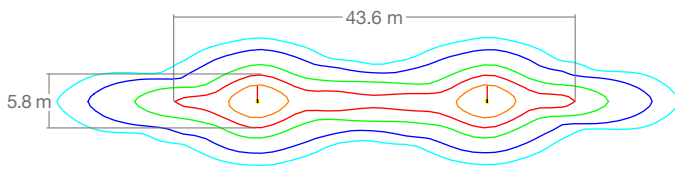
Spacing table calculated with 1 lux minimum illuminance and 0.9 maintenance factor



| Height (H) | Spacing Data (d) | |
|------------|------------------|--------|
| | 165 lm | 250 lm |
| 2.5 m | 22.1 m | 25.9 m |
| 3 m | 22.9 m | 27.1 m |
| 4 m | 16.1 m | 26.4 m |
| 5 m | 9.9 m | 18.7 m |
| 6 m | 5.9 m | 12.7 m |

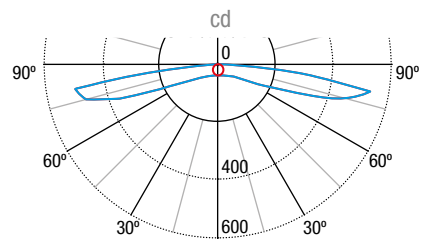
ISOLUX CURVE

250 lm luminaire placed at 3 m height



Isoline — 0.1 lx — 0.2 lx — 0.5 lx — 1.0 lx — 2.0 lx — 5.0 lx

PHOTOMETRIC GUIDE



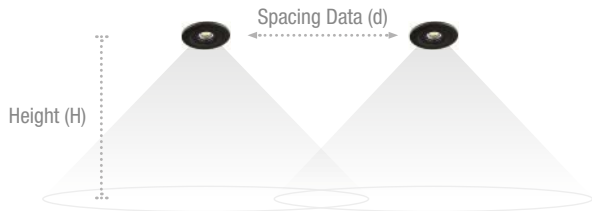
— C0 - C180 — C90 - C270

SPAZIO MINI

ZEMPER

ANTI-PANIC LENS

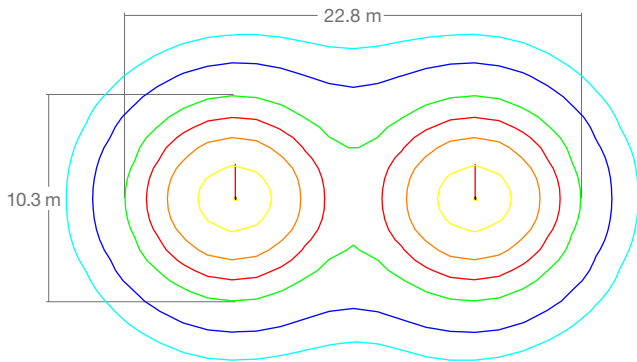
Spacing table calculated with 0.5 lux minimum illuminance and 0.9 maintenance factor



| Height (H) | Spacing Data (d) | |
|------------|------------------|--------|
| | 165 lm | 250 lm |
| 2.5 m | 10.4 m | 11.7 m |
| 3 m | 11.2 m | 12.7 m |
| 4 m | 12.5 m | 14.3 m |
| 5 m | 13.4 m | 15.5 m |
| 6 m | 13.9 m | 16.4 m |

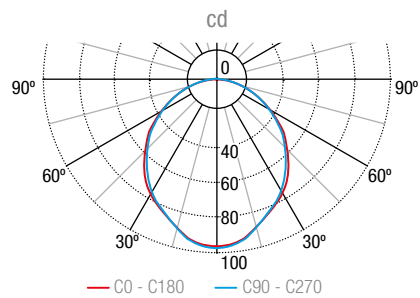
ISOLUX CURVE

250 lm luminaire placed at 3 m height

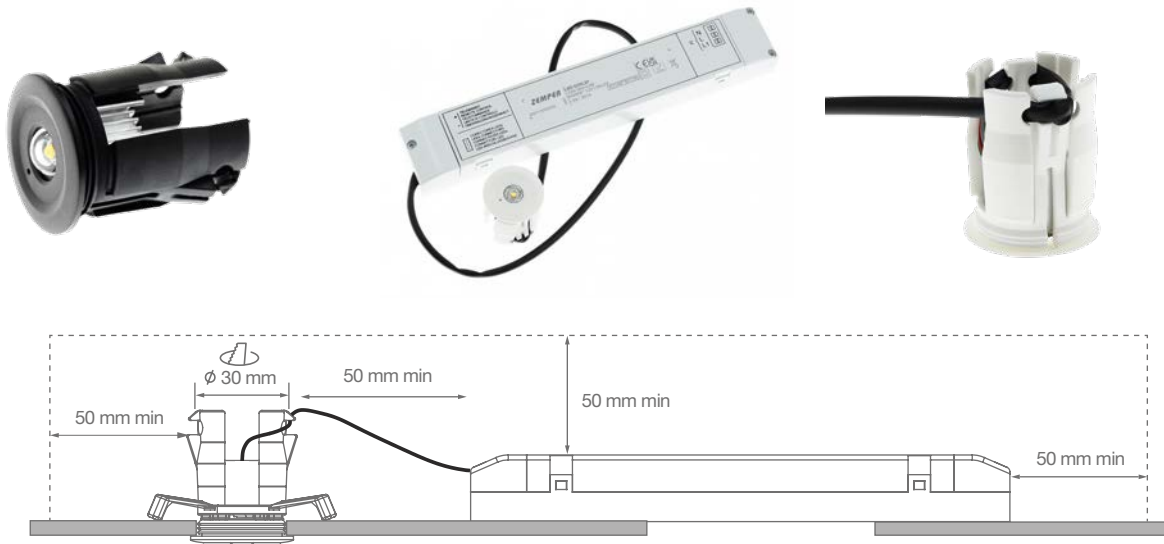


Isoline — 0.1 lx — 0.2 lx — 0.5 lx — 1.0 lx — 2.0 lx — 5.0 lx

PHOTOMETRIC GUIDE



DIMENSIONS



The installation aperture for the product head is 30 mm. Please note, the control and battery casing is 40 mm wide and will require another access point or aperture to install above the ceiling.

Emergency luminaire for suspended ceilings

