



Real size



SPAZIO NANO

SPECIFICATION



Polycarbonate body



Escape route lens - D
Anti-panic lens - R



IP42 (IP20 installed in slatted ceilings)



IK04



165 - 280 lm



Duration: 1 - 3 h · Battery: LiFePO₄



Charging time: 12 h



Supply: 230 V - 50 Hz

LED

LED temperature: 4000 °K



Working temperature: 0 °C to +40 °C



AutoTest



SmartZ®

AutoTest, SmartZ®
& DALI-2 Lithium

WARRANTY
5
YEAR



STANDARDS COMPLIANCE

EN-60598-2-22

AutoTest: EN-62034

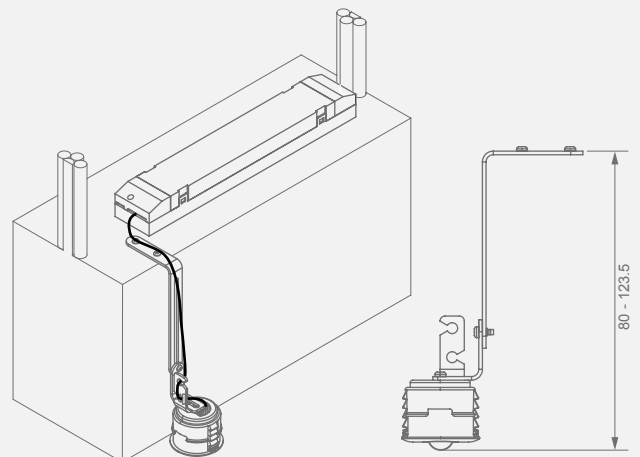
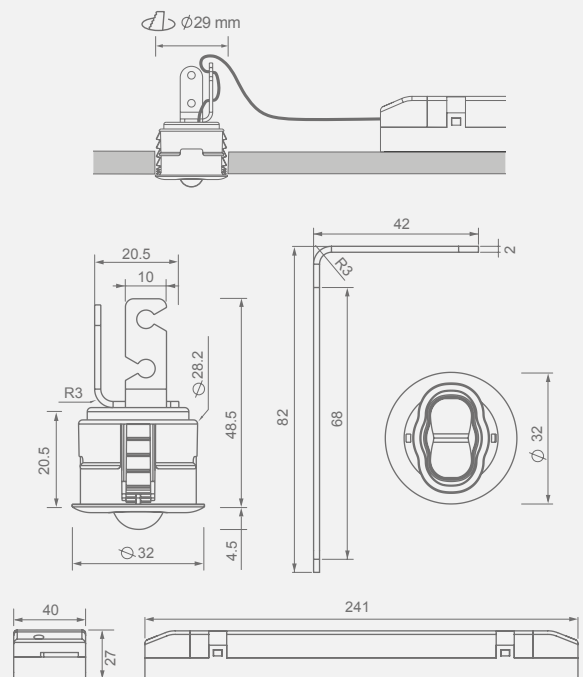
DALI-2: EN 62386

Wireless SmartZ®: ETSI EN 303 447-1


CERTIFICATIONS



DIMENSIONS (mm)



RANGE

	Emergency	Mains	Type*	Lens**	Dur.	Battery	Ref.
AutoTest	280 lm		NM	R	1 h	3.2V 1.5A/h LiFePO ₄	LML9250LX
	280 lm		NM	D	1 h	3.2V 1.5A/h LiFePO ₄	LML9251LX
	280 lm	150 lm	M/NM	R	1 h	3.2V 1.5A/h LiFePO ₄	LML9250LXP
	280 lm	150 lm	M/NM	D	1 h	3.2V 1.5A/h LiFePO ₄	LML9251LXP
	280 lm	150 lm	M/NM	R	1 h	3.2V 1.5A/h LiFePO ₄	LML9250LAP
	280 lm	150 lm	M/NM	D	1 h	3.2V 1.5A/h LiFePO ₄	LML9251LAP
	165 lm	100 lm	M/NM	R	3 h	3.2V 1.8A/h LiFePO ₄	LML9170LAP3
	165 lm	100 lm	M/NM	D	3 h	3.2V 1.8A/h LiFePO ₄	LML9171LAP3
Wireless SmartZ®	280 lm	150 lm	M/NM	R	1 h	3.2V 1.5A/h LiFePO ₄	LML9250LWP
	280 lm	150 lm	M/NM	D	1 h	3.2V 1.5A/h LiFePO ₄	LML9251LWP
	165 lm	100 lm	M/NM	R	3 h	3.2V 1.8A/h LiFePO ₄	LML9170LWP3
	165 lm	100 lm	M/NM	D	3 h	3.2V 1.8A/h LiFePO ₄	LML9171LWP3

*NM: Non Maintained. The luminaire operates from emergency supply only upon failure of the normal mains supply.

*M/NM: Maintained/Non Maintained. With a third terminal which allows to switch off/on the Maintained mode when connected to mains supply.

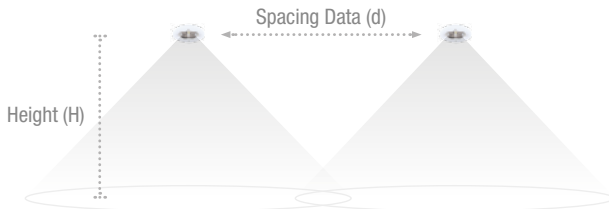
**R: Round Lens (Anti-panic) / D: Directional Lens (Escape route)

For version in black colour, add an 'N' at the end of the reference.

SPACING TABLE

ESCAPE ROUTE LENS

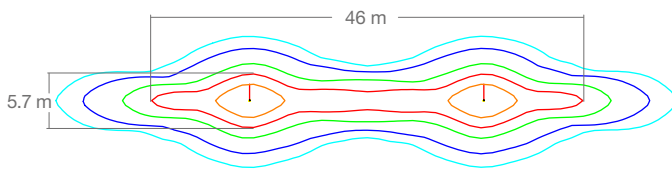
Spacing table calculated with 1 lux minimum illuminance



Height (H)	Spacing Data (d)	
	165 lm	250 lm
2.5 m	22.6 m	25.7 m
3 m	24.2 m	27.5 m
4 m	21.3 m	30.5 m
5 m	12.0 m	25.8 m
6 m	6.3 m	15.2 m

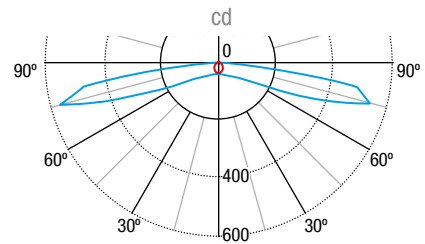
ISOLUX CURVE

250 lm luminaire placed at 3 m height



Isoline — 0.1 lx — 0.2 lx — 0.5 lx — 1.0 lx — 2.0 lx — 5.0 lx

PHOTOMETRIC GUIDE



— C0 - C180 — C90 - C270

SPAZIO NANO

ZEMPER

ANTI-PANIC LENS

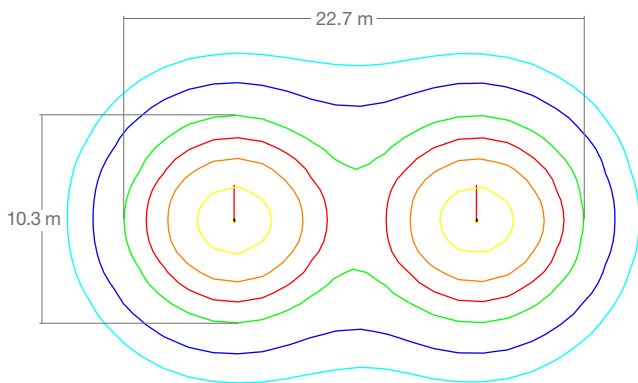
Spacing table calculated with 0.5 lux minimum illuminance and 0.9 maintenance factor



Height (H)	Spacing Data (d)	
	165 lm	250 lm
2.5 m	10.4 m	11.6 m
3 m	11.2 m	12.6 m
4 m	12.5 m	14.3 m
5 m	13.4 m	15.5 m
6 m	14.0 m	16.4 m

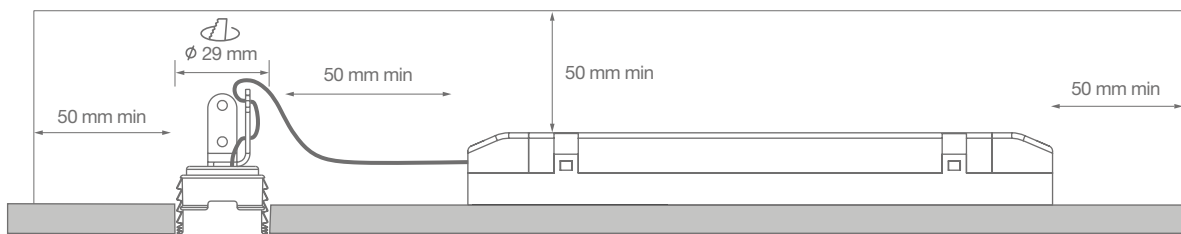
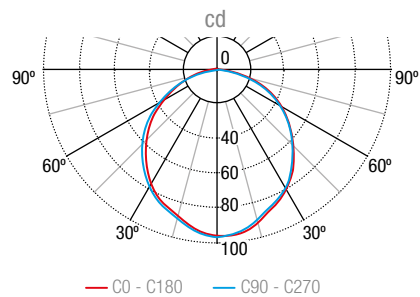
ISOLUX CURVE

250 lm luminaire placed at 3 m height



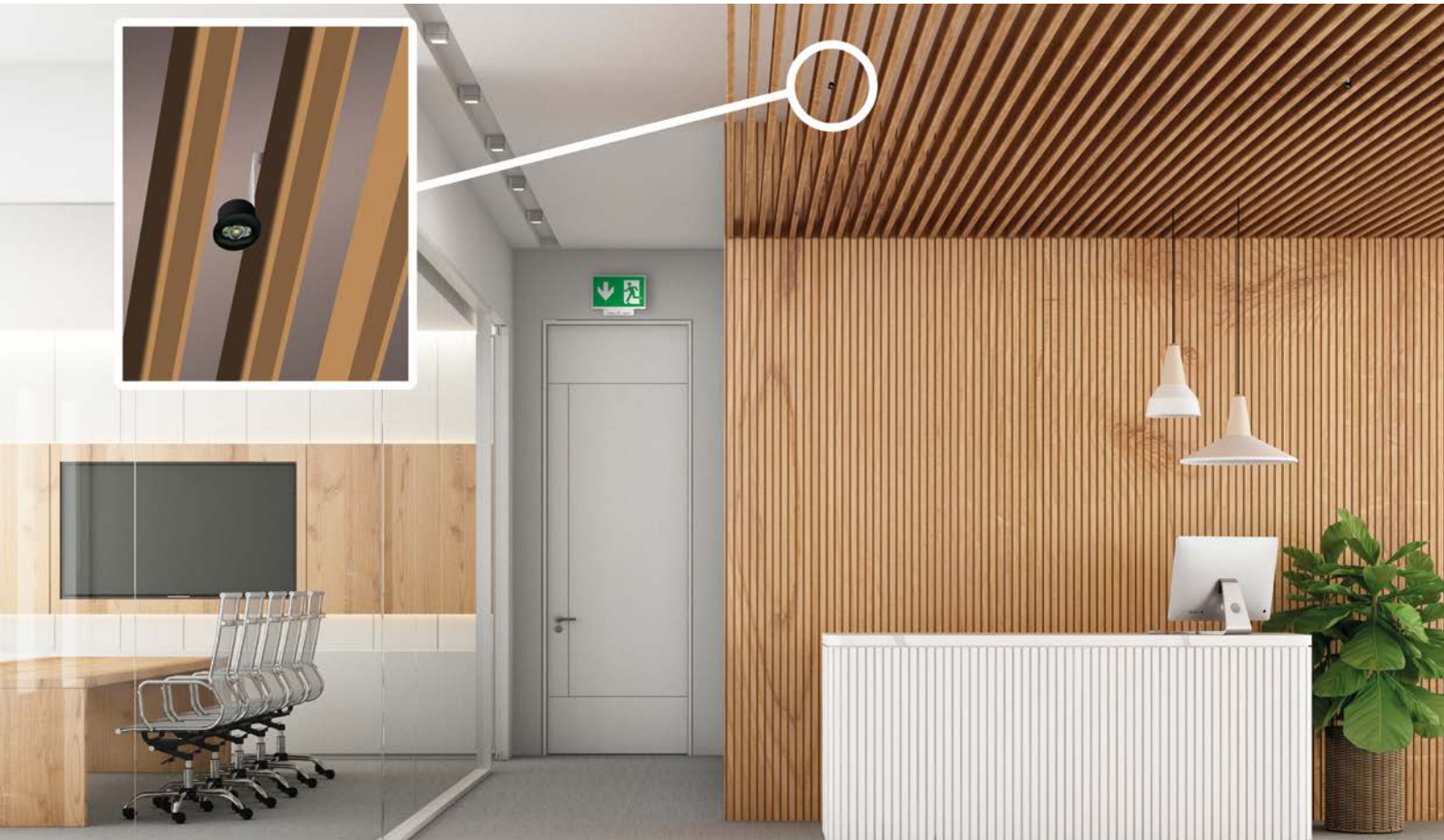
Isoline — 0.1 lx — 0.2 lx — 0.5 lx — 1.0 lx — 2.0 lx — 5.0 lx

PHOTOMETRIC GUIDE



Important Note: The installation aperture for the product head is 29 mm. Please note, the control and battery casing is 40 mm wide and will require another access point or aperture to install above the ceiling. This luminaire is designed for slatted ceilings and for continuous luminaires.

Luminaire recommended for slatted ceilings



and for continuous luminaires

PERFECT INTEGRATION

