



# ALYA TRACK

## SPECIFICATION

Track

Polycarbonate body

Optics: Circular Lens + Hall Lens

IP20

IK04

300 lm

Duration: 3 h · Battery: LiFePO<sub>4</sub>

Charging time: 12 h

Supply: 230 V - 50 Hz

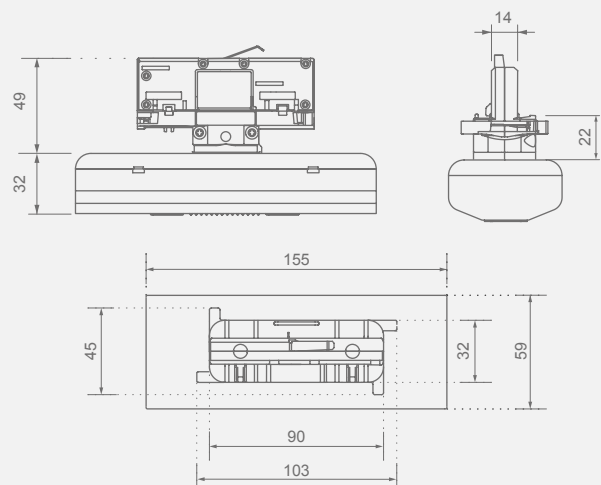
LED temperature: 4000 °K

Working temperature: 0 °C to +40 °C

AutoTest



## DIMENSIONS (mm)



## STANDARDS COMPLIANCE

EN-60598-2-22  
AutoTest: EN-62034  
DALI: EN 62386

## CERTIFICATIONS



RANGE

	Emergency	Mains	Type*	Dur.	Battery	Part Number
AutoTest	300 lm	180 lm	M	3 h	3.2V 3.0A/h LiFePO <sub>4</sub>	LYA6300LXP3
DALI	300 lm	180 lm	M	3 h	3.2V 3.0A/h LiFePO <sub>4</sub>	LYA6300LAP3

M: Maintained.

For version in black colour, add an 'N' at the end of the part number.

SPACING TABLE

LYA6300LXP3 = 300 lm

Mounting Height	0.5 lux				1 lux			
	↔↔↔	↔↔↔	↔↔↔	↔↔↔	↔↔↔	↔↔↔	↔↔↔	↔↔↔
2.0 m	2.98 m	7.58 m	11.87 m	4.43 m	2.98 m	7.58 m	11.87 m	4.43 m
2.5 m	3.72 m	9.48 m	14.84 m	5.54 m	3.72 m	9.48 m	14.84 m	5.54 m
3 m	4.47 m	11.37 m	17.81 m	6.65 m	3.93 m	10.60 m	16.47 m	5.79 m
3.5 m	5.21 m	13.27 m	20.78 m	7.76 m	3.99 m	10.98 m	16.71 m	5.71 m
4 m	5.55 m	14.59 m	22.07 m	7.79 m	4.12 m	11.11 m	16.41 m	5.46 m
4.5 m	5.54 m	15.30 m	22.63 m	7.79 m	4.25 m	11.09 m	16.31 m	4.97 m

PHOTOMETRIC GUIDE

LYA6300LXP3 = 300 lm

