



DIANA IP66

SPECIFICATION

Wall	Surface	✓
	Recessed	x
Ceiling	Surface	✓
	Recessed	x

Transparent Polycarbonate body

Diffuser: Transparent Polycarbonate

IP66

IK10

150 lm - 300 lm

Duration: 3 h · Battery: LiFePO₄

Charging time: 12 h

Supply: 230 V - 50 Hz

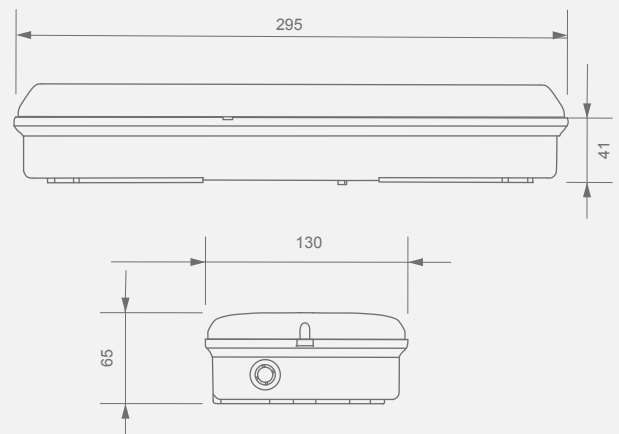
LED temperature: 4000 °K

Working temperature: 0 °C to +40 °C

AutoTest



DIMENSIONS (mm)



STANDARDS COMPLIANCE

EN-60598-2-22
AutoTest: EN-62034
DALI: EN 62386

CERTIFICATIONS



LED



RANGE

	Emergency	Mains	Type*	Dur.	Battery	Part Number
AutoTest	150 lm		NM	3 h	3.2V 1.5A/h LiFePO ₄	LXE9150LX3
	150 lm	90 lm	M/NM	3 h	3.2V 1.5A/h LiFePO ₄	LXE9150LXP3
	300 lm	180 lm	M/NM	3 h	3,2V 3,0A/h LiFePO ₄	LXE9300LXP3
DALI	150 lm	90 lm	M/NM	3 h	3.2V 1.5A/h LiFePO ₄	LXE9150LAP3
	300 lm	180 lm	M/NM	3 h	6.4V 1.5A/h LiFePO ₄	LXE9300LAP3

*NM: Non Maintained. The luminaire operates from emergency supply only upon failure of the normal mains supply.

*M/NM: Maintained/Non Maintained. With a switch which allows to select Maintained or Non Maintained mode funtion.

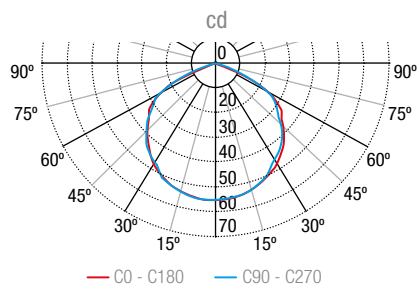
SPACING TABLE

LXE9150LX3 = 150 lm

Mounting Height	0.5 lux				1 lux			
	↔	↔	↔	↔	↔	↔	↔	↔
2.0 m	3.92 m	9.07 m	9.18 m	3.90 m	3.29 m	7.95 m	7.88 m	3.24 m
2.5 m	4.38 m	10.52 m	10.41 m	4.36 m	3.55 m	8.87 m	8.84 m	3.44 m
3 m	4.72 m	11.55 m	11.47 m	4.65 m	3.63 m	9.52 m	9.40 m	3.55 m
3.5 m	4.99 m	12.44 m	12.40 m	4.85 m	3.71 m	10.02 m	9.78 m	3.65 m
4 m	5.08 m	13.15 m	13.02 m	4.97 m	3.72 m	10.22 m	10.08 m	3.66 m
4.5 m	5.15 m	13.72 m	13.46 m	5.07 m	3.66 m	10.35 m	10.30 m	3.59 m

PHOTOMETRIC GUIDE

LXE9150LX3 = 150 lm



ACCESSORIES

You may place arrow and running man in the direction you need:

And place it inside the Diana IP66 luminaire:



APF600
(Upon request)

