



EXITALYA Surface with Downlight

SPECIFICATION

Wall	Surface	✓
	Recessed	x
Ceiling	Surface	x
	Recessed	x

Cable entry from rear of the luminaire

Polycarbonate body

Sign + Optics: Exit Sign + Circular Lens

IP42

IK04

120 lm

Duration: 3 h · Battery: LiFePO₄

Charging time: 12 h

Supply: 230 V - 50 Hz

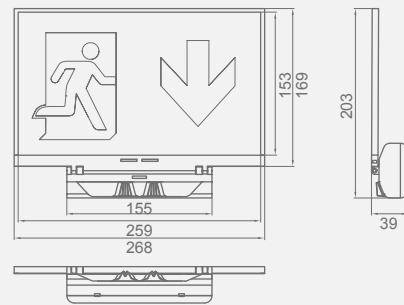
LED temperature: 4000 °K

Working temperature: 0 °C to +40 °C

AutoTest



DIMENSIONS (mm)



VIEWING DISTANCE



STANDARDS COMPLIANCE

EN-60598-2-22

Pictographs: EN ISO7010

AutoTest: EN-62034

Dali: EN 62386

CERTIFICATIONS



RANGE

	Emergency	Mains	Type*	Dur.	Battery	Part Number
AutoTest	120 lm	70 lm	M/NM	3 h	3.2V 3.0A/h LiFePO ₄	LYE3120LXP3
DALI	120 lm	70 lm	M/NM	3 h	3.2V 3.0A/h LiFePO ₄	LYE3120LAP3

*M/NM: Maintained/Non Maintained. With a switch which allows to select Maintained or Non Maintained mode function.

For black version, add "N" at the end of the part number. Luminous flux decreases by 18% in black colour version.

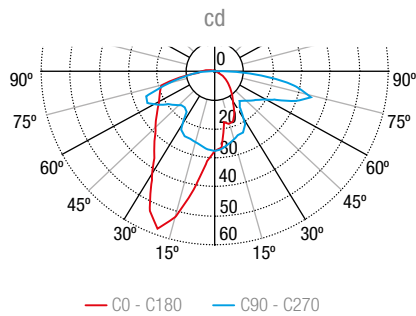
SPACING TABLE

LYE3120LDP3W = 120 lm

Mounting Height	0.5 lux				1 lux			
	↔↔↔	↔↔↔	↔↔↔	↔↔↔	↔↔↔	↔↔↔	↔↔↔	↔↔↔
2.0 m	2.07 m	7.41 m	11.27 m	3.94 m	1.64 m	5.92 m	8.12 m	2.47 m
2.5 m	2.23 m	8.02 m	11.47 m	3.67 m	1.67 m	6.33 m	7.75 m	2.05 m
3 m	2.31 m	8.50 m	11.42 m	3.36 m	1.64 m	6.58 m	7.10 m	2.04 m
3.5 m	2.35 m	8.90 m	11.01 m	2.90 m	1.57 m	6.73 m	6.32 m	2.12 m
4 m	2.33 m	9.19 m	10.38 m	2.86 m	1.27 m	6.77 m	5.99 m	2.01 m
4.5 m	2.31 m	9.39 m	9.63 m	2.94 m	0.64 m	6.77 m	6.01 m	1.50 m

PHOTOMETRIC GUIDE

LYE3120LDP3W = 120 lm



180° adaptable

Its specific design makes it an exit sign adaptable to any position on the wall. The banner is made of a very innovative self-diffusing material that provides a perfect and uniform diffusion of light.



It is supplied with a complete set of pictograms



1 unit x EEP407



1 unit x EEP408



2 units x EEP409



1 unit x EEP406 (white)