



EXITALYA TRACK

SPECIFICATION

Track ✓

Polycarbonate body

IP20

IK04

Duration: 3 h · Battery: LiFePO₄

Charging time: 12 h

Supply: 230 V - 50 Hz

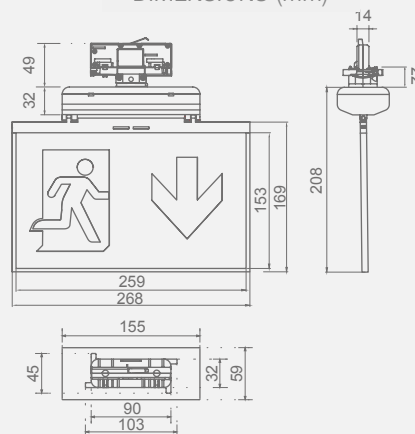
LED temperature: 4000 °K

Working temperature: 0 °C to +40 °C

AutoTest



DIMENSIONS (mm)



VIEWING DISTANCE



STANDARDS COMPLIANCE

EN-60598-2-22
AutoTest: EN-62034
DALI: EN 62386

CERTIFICATIONS



RANGE

| | Type* | Dur. | Battery | Part Number |
|----------|-------|------|---------------------------------|-------------|
| AutoTest | M | 3 h | 3.2V 1.5A/h LiFePO ₄ | LYE6070LXP3 |
| DALI | M | 3 h | 3.2V 1.5A/h LiFePO ₄ | LYE6070LAP3 |

*M: Maintained.

For version in black colour, add an 'N' at the end of the part number.

