



# HARENA with Downlight

## SPECIFICATION

Wall	Surface	✓
	Recessed	x
Ceiling	Surface	✓
	Recessed	x

Polycarbonate body

Circular Lens (LEDs version)

IP42

IK04

120 lm

Duration: 3 h · Battery: LiFePO<sub>4</sub>

Charging time: 12 h

Supply: 230 V - 50 Hz

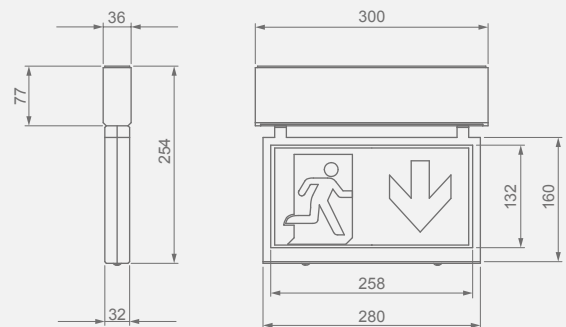
LED temperature: 4000 °K

Working temperature: 0 °C to +40 °C

AutoTest



## DIMENSIONS (mm)



## VIEWING DISTANCE



## STANDARDS COMPLIANCE

EN-60598-2-22  
Pictographs: EN ISO7010  
AutoTest: EN-62034

## CERTIFICATIONS



RANGE

	Emer.	Mains	Type*	Dur.	Battery	Part Number
AutoTest	120 lm	70 lm	M	3 h	3.2V 3.0A/h LiFePO <sub>4</sub>	LHS3120LXP3

\*M: Maintained.

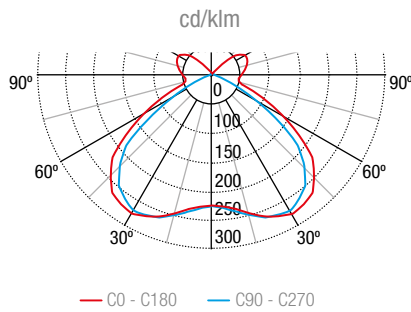
SPACING TABLE

LHS3120LXP3 = 120 lm

Mounting Height	0.5 lux				1 lux			
	↔ □	□ ↔ □	□ ↔ □	□ ↔	↔ □	□ ↔ □	□ ↔ □	□ ↔
2.0 m	3.40 m	8.11 m	7.01 m	3.09 m	2.86 m	6.93 m	6.20 m	2.66 m
2.5 m	3.80 m	9.12 m	8.12 m	3.52 m	3.11 m	7.69 m	7.06 m	2.96 m
3 m	4.11 m	9.99 m	9.09 m	3.88 m	3.22 m	8.30 m	7.77 m	3.06 m
3.5 m	4.35 m	10.75 m	9.93 m	4.17 m	3.21 m	8.77 m	8.34 m	3.08 m
4 m	4.50 m	11.40 m	10.66 m	4.29 m	3.09 m	9.05 m	8.59 m	2.96 m
4.5 m	4.54 m	11.95 m	11.30 m	4.35 m	2.79 m	9.14 m	8.72 m	2.70 m

PHOTOMETRIC GUIDE

LHS3120LXP3 = 120 lm



ACCESSORIES

It is supplied with a complete set of green pictograms



For other pictograms, please see part numbers below



Included



Upon request



Upon request



Upon request