



MAXILUM

IP65



+25°C
-30°C

SPECIFICATION

Wall	Surface	✓
	Recessed	x
Ceiling	Surface	✓
	Recessed	x

Polycarbonate body

2x LED Spotlight

IP65

IK07

1 500 lm

Duration: 3 h · Battery: LiFePO₄

Charging time: 12 h / 24 h (Cold)

Supply: 230 V - 50 Hz

LED temperature: 4000 °K

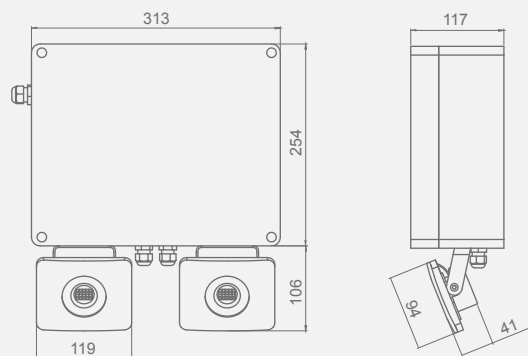
Working temperature:
0 °C to +40 °C / -30 °C to +25 °C

AutoTest

WARRANTY

6
YEAR

DIMENSIONS (mm)



STANDARDS COMPLIANCE

EN-60598-2-22
AutoTest: EN-62034

CERTIFICATIONS

UK
CA



LED



RANGE

	Emergency	Type*	Dur.	Battery (Units/Ah)	Part Number
AutoTest	1 500 lm	NM	3 h	2 x 12.8V 3.0A/h LiFePO ₄	PME1500LX3

MAXIMUM COLD**



	Emergency	Type*	Dur.	Battery (Units/Ah)	Part Number
AutoTest	1 500 lm	NM	3 h	2 x 12.8V 3.0A/h LiFePO ₄	PME1500LX3F

*NM: Non Maintained. The luminaire operates from emergency supply only upon failure of the normal mains supply.

SPACING TABLE

PME1500LX3 = 1 500 lm

Mounting Height	0.5 lux				1 lux			
	↔	↔	↔	↔	↔	↔	↔	↔
6.0 m	12.00 m	27.94 m	24.72 m	12.04 m	9.93 m	23.89 m	21.69 m	10.00 m
8.0 m	13.71 m	32.75 m	29.63 m	13.83 m	10.95 m	27.47 m	25.88 m	10.99 m
10 m	14.88 m	36.65 m	33.87 m	14.96 m	11.53 m	29.81 m	29.07 m	11.57 m
12 m	15.72 m	39.71 m	37.65 m	15.78 m	11.74 m	31.47 m	31.58 m	11.78 m
14 m	16.27 m	41.99 m	40.89 m	16.33 m	11.62 m	32.57 m	32.72 m	11.65 m
16 m	16.55 m	43.79 m	43.71 m	16.60 m	11.12 m	33.11 m	33.28 m	11.16 m

PHOTOMETRIC GUIDE

PME1500LX3 = 750 lm (1 spotlight)

