



# SPAZIO LUZ TRACK

## SPECIFICATION

Track

Polycarbonate body

Diffuser: Transparent Polycarbonate

IP20

IK04

170 lm

Duration: 3 h · Battery: LiFePO<sub>4</sub>

Charging time: 12 h

Supply: 230 V - 50 Hz

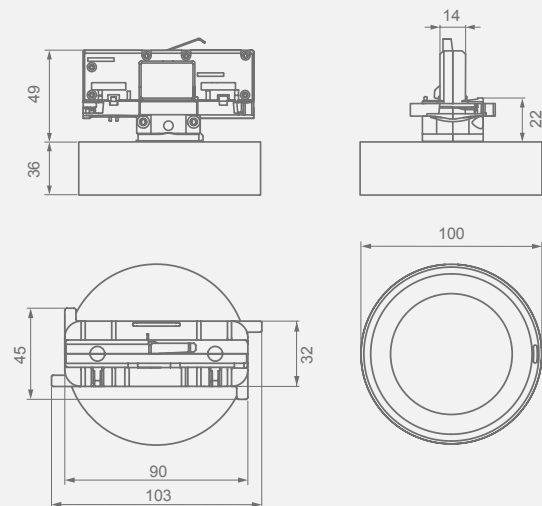
LED temperature: 4000 °K

Working temperature: 0 °C to +40 °C

AutoTest



## DIMENSIONS (mm)



## STANDARDS COMPLIANCE

EN-60598-2-22  
AutoTest: EN-62034  
DALI: EN 62386

## CERTIFICATIONS



LED



RANGE

	Emergency	Mains	Type*	Dur.	Battery	Part Number
AutoTest	170 lm	100 lm	M	3 h	3.2V 1.5A/h LiFePO <sub>4</sub>	LUZ6170LXP3
DALI	170 lm	100 lm	M	3 h	3.2V 1.5A/h LiFePO <sub>4</sub>	LUZ6170LAP3

\*M: Maintained.

For version in black colour, add an 'N' at the end of the part number.

SPACING TABLE

LUZ6170LXP3 = 170 lm

Mounting Height	0.5 lux				1 lux			
	⦿↔⦿	⦿↔⦿	⦿↔⦿	⦿↔⦿	⦿↔⦿	⦿↔⦿	⦿↔⦿	⦿↔⦿
2.0 m	3.85 m	9.26 m	9.29 m	3.82 m	3.16 m	7.70 m	7.72 m	3.14 m
2.5 m	4.23 m	10.27 m	10.29 m	4.20 m	3.42 m	8.46 m	8.47 m	3.40 m
3 m	4.54 m	11.13 m	11.15 m	4.51 m	3.61 m	9.08 m	9.08 m	3.58 m
3.5 m	4.80 m	11.87 m	11.89 m	4.76 m	3.73 m	9.58 m	9.58 m	3.70 m
4 m	5.00 m	12.52 m	12.53 m	4.96 m	3.80 m	9.98 m	9.98 m	3.77 m
4.5 m	5.16 m	13.07 m	13.08 m	5.11 m	3.81 m	10.29 m	10.29 m	3.77 m

PHOTOMETRIC GUIDE

LUZ6170LXP3 = 170 lm

