



Real size



SPAZIO NANO

SPECIFICATION

Wall	Surface	x
	Recessed	x
Ceiling	Surface	x
	Recessed	✓
	Slatted	✓
	Luminaires	✓

Polycarbonate body

Escape route lens - D
Anti-panic lens - R

IP42 (IP20 installed in slatted ceilings)

IK04

165 lm

Duration: 3 h · Battery: LiFePO₄

Charging time: 12 h

Supply: 230 V - 50 Hz

LED temperature: 4000 °K

Working temperature: 0 °C to +40 °C

AutoTest



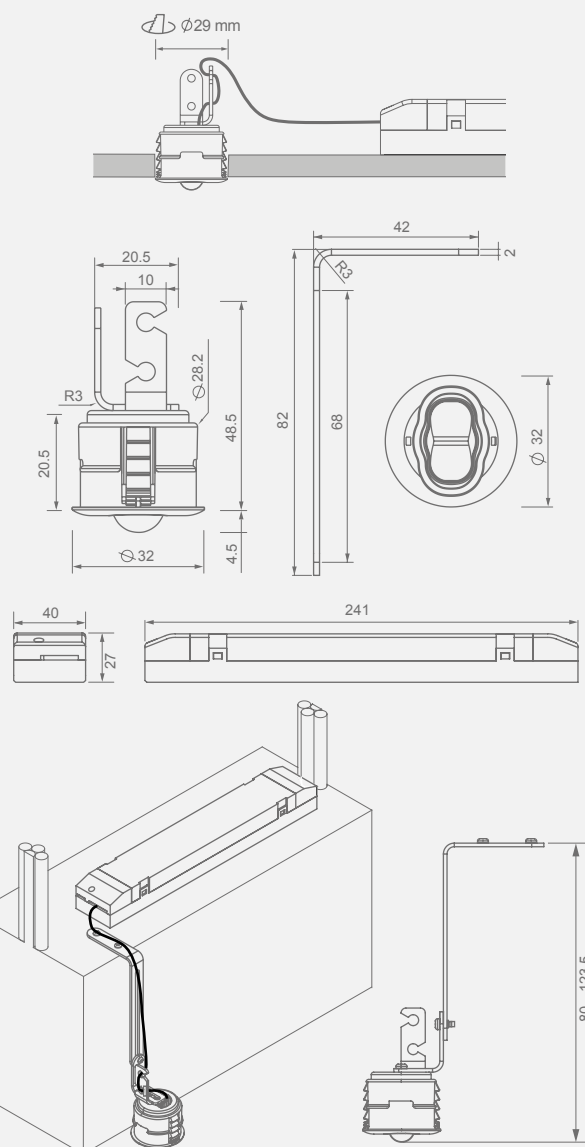
STANDARDS COMPLIANCE

EN-60598-2-22
AutoTest: EN-62034
DALI: EN 62386

CERTIFICATIONS



DIMENSIONS (mm)



RANGE							
	Emergency	Mains	Type*	Lens**	Dur.	Battery	Part Number
AutoTest	165 lm	100 lm	M/NM	R	3 h	3.2V 1.8A/h LiFePO ₄	LML9170LXP3
	165 lm	100 lm	M/NM	D	3 h	3.2V 1.8A/h LiFePO ₄	LML9171LXP3
DALI	165 lm	100 lm	NM	R	3 h	3.2V 1.8A/h LiFePO ₄	LML9170LA3
	165 lm	100 lm	NM	D	3 h	3.2V 1.8A/h LiFePO ₄	LML9171LA3
	165 lm	100 lm	M/NM	R	3 h	3.2V 1.8A/h LiFePO ₄	LML9170LAP3
	165 lm	100 lm	M/NM	D	3 h	3.2V 1.8A/h LiFePO ₄	LML9171LAP3

*M/NM: Maintained/Non Maintained. With a third terminal which allows to switch off/on the Maintained mode when connected to mains supply.

**R: Round Lens (Anti-panic) / D: Corridor Lens (Escape route)

For version in black colour, add an 'N' at the end of the part number.

SPACING TABLE

ESCAPE ROUTE LENS

LML9171LAP3 = 165 lm

Mounting Height	0.5 lux				1 lux			
	⦿ ↔ ⦿	⦿ ↔ ⦿	⦿ ↔ ⦿	⦿ ↔ ⦿	⦿ ↔ ⦿	⦿ ↔ ⦿	⦿ ↔ ⦿	⦿ ↔ ⦿
2.0 m	2.97 m	7.30 m	18.95 m	8.42 m	2.22 m	5.91 m	17.48 m	7.74 m
2.5 m	3.10 m	8.02 m	22.14 m	9.76 m	2.28 m	6.19 m	20.17 m	8.58 m
3 m	3.16 m	8.51 m	25.01 m	10.81 m	2.33 m	6.37 m	22.57 m	9.14 m
3.5 m	3.22 m	8.75 m	27.64 m	11.46 m	2.33 m	6.51 m	23.91 m	9.63 m
4 m	3.27 m	8.94 m	30.06 m	12.04 m	2.22 m	6.59 m	25.00 m	8.30 m
4.5 m	3.32 m	9.07 m	31.52 m	12.56 m	2.09 m	6.61 m	25.99 m	7.87 m

ANTI-PANIC LENS

LML9170LAP3 = 165 lm

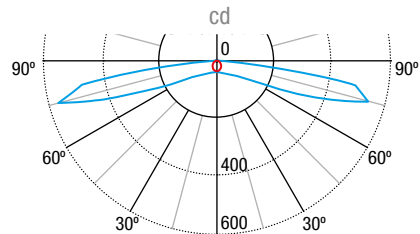
Mounting Height	0.5 lux				1 lux			
	⦿ ↔ ⦿	⦿ ↔ ⦿	⦿ ↔ ⦿	⦿ ↔ ⦿	⦿ ↔ ⦿	⦿ ↔ ⦿	⦿ ↔ ⦿	⦿ ↔ ⦿
2.0 m	4.19 m	10.08 m	10.08 m	4.19 m	3.45 m	8.44 m	8.44 m	3.45 m
2.5 m	4.62 m	11.23 m	11.23 m	4.62 m	3.68 m	9.30 m	9.30 m	3.68 m
3.0 m	4.95 m	12.21 m	12.21 m	4.95 m	3.82 m	9.95 m	9.95 m	3.82 m
3.5 m	5.16 m	13.06 m	13.06 m	5.16 m	3.88 m	10.38 m	10.38 m	3.88 m
4.0 m	5.32 m	13.79 m	13.79 m	5.32 m	3.85 m	10.70 m	10.70 m	3.85 m
4.5 m	5.43 m	14.28 m	14.28 m	5.43 m	3.74 m	10.92 m	10.92 m	3.74 m

SPAZIO NANO

ZEMPER

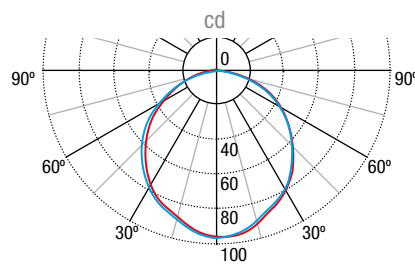
PHOTOMETRIC GUIDE

ESCAPE ROUTE LENS

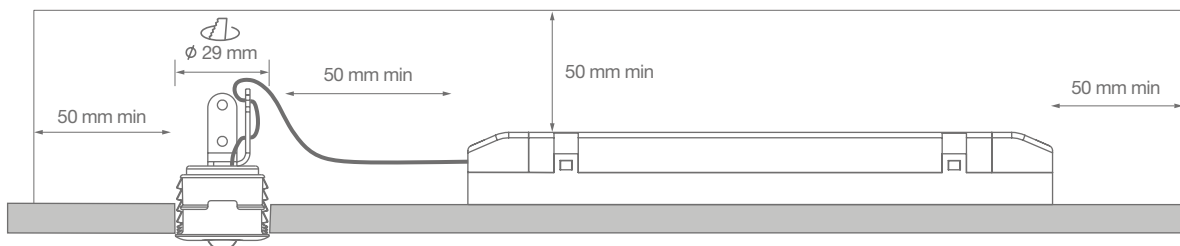


— C0 - C180 — C90 - C270

ANTI-PANIC LENS

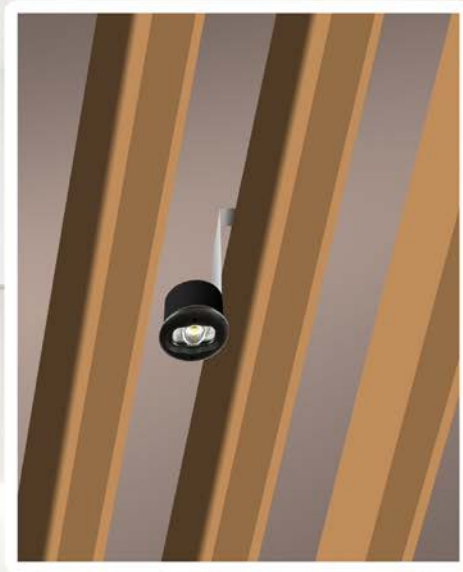


— C0 - C180 — C90 - C270



Important Note: The installation aperture for the product head is 29 mm. Please note, the control and battery casing is 40 mm wide and will require another access point or aperture to install above the ceiling. This luminaire is designed for slatted ceilings and for continuous luminaires.

Luminaire recommended for slatted ceilings



and for continuous luminaires
PERFECT INTEGRATION

