



Real size



SPAZIO ON

SPECIFICATION

Wall	Surface	✓
	Recessed	✓
Ceiling	Surface	✓
	Recessed	✓

Polycarbonate body

Escape route lens - D

Anti-panic lens - R

Asymmetrical wall lens - W

IP

IP42

IK

IK04

lm

165 lm



Duration: 3 h · Battery: LiFePO₄



Charging time: 12 h



Supply: 230 V - 50 Hz

LED

LED temperature: 4000 °K



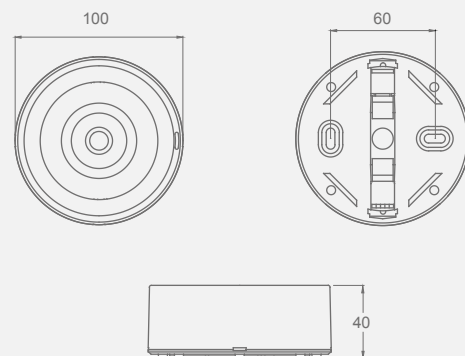
Working temperature: 0 °C to +40 °C



AutoTest



DIMENSIONS (mm)



STANDARDS COMPLIANCE

EN-60598-2-22
AutoTest: EN-62034
DALI: EN 62386

CERTIFICATIONS



RANGE

	Emergency	Mains	Type*	Lens**	Dur.	Battery	Part Number
AutoTest	165 lm	100 lm	M/NM	R	3 h	3.2V 1.8A/h LiFePO ₄	LSM3170LXP3
	165 lm	100 lm	M/NM	D	3 h	3.2V 1.8A/h LiFePO ₄	LSM3171LXP3
	165 lm	100 lm	M/NM	W	3 h	3.2V 1.8A/h LiFePO ₄	LSM3172LXP3
DALI	165 lm	100 lm	M/NM	R	3 h	3.2V 1.8A/h LiFePO ₄	LSM3170LAP3
	165 lm	100 lm	M/NM	D	3 h	3.2V 1.8A/h LiFePO ₄	LSM3171LAP3
	165 lm	100 lm	M/NM	W	3 h	3.2V 1.8A/h LiFePO ₄	LSM3172LAP3

*M/NM: Maintained/Non Maintained. With a third terminal which allows to switch off/on the Maintained mode when connected to mains supply.

** D: Escape route lens / R: Anti-panic lens / W: Asymmetrical wall lens

For version in black colour, add an 'N' at the end of the part number.

SPACING TABLE

ESCAPE ROUTE LENS

LSM3171LXP3 = 165 lm

Mounting Height	0.5 lux				1 lux			
	⦿ ↔ ⦿	⦿ ↔ ⦿	⦿ ↔ ⦿	⦿ ↔ ⦿	⦿ ↔ ⦿	⦿ ↔ ⦿	⦿ ↔ ⦿	⦿ ↔ ⦿
2.0 m	2.72 m	6.17 m	17.37 m	7.66 m	2.37 m	5.45 m	16.06 m	7.09 m
2.5 m	3.13 m	7.09 m	20.27 m	8.91 m	2.54 m	6.27 m	18.52 m	8.15 m
3 m	3.42 m	8.01 m	22.89 m	10.05 m	2.48 m	6.85 m	20.82 m	9.09 m
3.5 m	3.58 m	8.81 m	25.36 m	11.09 m	2.41 m	7.16 m	22.91 m	9.94 m
4 m	3.56 m	9.49 m	27.69 m	12.04 m	2.28 m	7.12 m	24.83 m	9.80 m
4.5 m	3.49 m	9.87 m	29.86 m	12.92 m	2.08 m	6.98 m	26.61 m	8.69 m

ANTI-PANIC LENS

LSM3170LXP3 = 165 lm

Mounting Height	0.5 lux				1 lux			
	⦿ ↔ ⦿	⦿ ↔ ⦿	⦿ ↔ ⦿	⦿ ↔ ⦿	⦿ ↔ ⦿	⦿ ↔ ⦿	⦿ ↔ ⦿	⦿ ↔ ⦿
2.0 m	3.67 m	8.32 m	8.32 m	3.67 m	3.22 m	7.41 m	7.41 m	3.22 m
2.5 m	4.21 m	9.66 m	9.66 m	4.21 m	3.64 m	8.47 m	8.47 m	3.64 m
3.0 m	4.69 m	10.82 m	10.82 m	4.69 m	3.97 m	9.43 m	9.43 m	3.97 m
3.5 m	5.10 m	11.87 m	11.87 m	5.10 m	4.23 m	10.25 m	10.25 m	4.23 m
4.0 m	5.45 m	12.86 m	12.86 m	5.45 m	4.41 m	10.95 m	10.95 m	4.41 m
4.5 m	5.74 m	13.75 m	13.75 m	5.74 m	4.53 m	11.53 m	11.53 m	4.53 m

ASYMMETRICAL WALL LENS

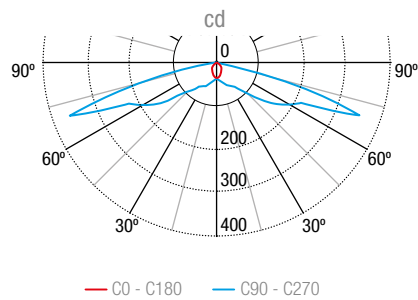
LSM3172LXP3 = 165 lm

Mounting Height	0.5 lux				1 lux			
	⦿ ↔ ⦿	⦿ ↔ ⦿	⦿ ↔ ⦿	⦿ ↔ ⦿	⦿ ↔ ⦿	⦿ ↔ ⦿	⦿ ↔ ⦿	⦿ ↔ ⦿
2.0 m	3.13 m	7.31 m	9.79 m	4.64 m	2.73 m	6.40 m	8.17 m	3.89 m
2.5 m	3.56 m	8.33 m	10.90 m	5.18 m	3.14 m	7.30 m	9.03 m	4.31 m
3.0 m	4.02 m	9.35 m	11.87 m	5.66 m	3.46 m	8.17 m	9.69 m	4.61 m
3.5 m	4.41 m	10.24 m	12.71 m	6.07 m	3.71 m	8.95 m	10.22 m	4.85 m
4.0 m	4.76 m	11.10 m	13.42 m	6.39 m	3.87 m	9.64 m	10.60 m	5.03 m
4.5 m	5.04 m	11.95 m	14.00 m	6.66 m	3.89 m	10.15 m	10.88 m	5.14 m

PHOTOMETRIC GUIDE

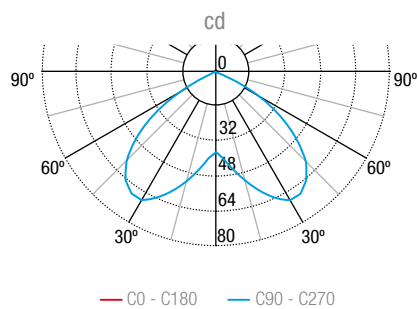
ESCAPE ROUTE LENS

LSM3171LXP3 = 165 lm



ANTI-PANIC LENS

LSM3170LXP3 = 165 lm



ASYMMETRICAL WALL LENS

LSM3172LXP3 = 165 lm

