



SPAZIO PLUS TRACK

SPECIFICATION

Track

Polycarbonate body

Escape route lens - D
Anti-panic lens - R

IP20

IK04

165 lm

Duration: 3 h · Battery: LiFePO₄

Charging time: 12 h

Supply: 230 V - 50 Hz

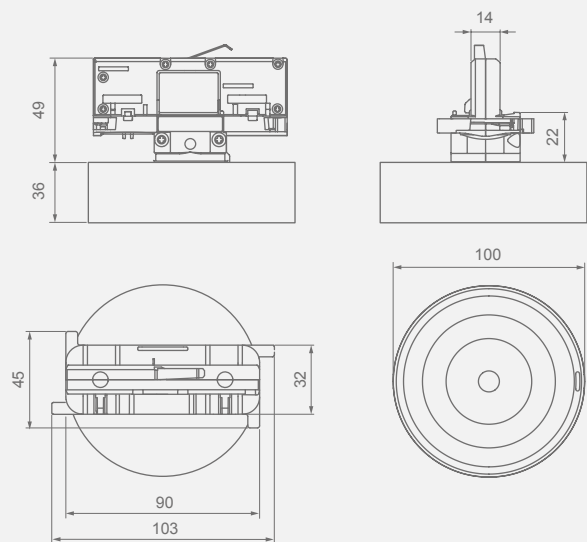
LED temperature: 4000 °K

Working temperature: 0 °C to +40 °C

AutoTest



DIMENSIONS (mm)



STANDARDS COMPLIANCE

EN-60598-2-22
AutoTest: EN-62034
DALI: EN 62386

CERTIFICATIONS



LED



	RANGE				Battery	Part Number
	Emergency	Mains	Type*	Dur.		
AutoTest	165 lm	100 lm	M	3 h	3.2V 1.8A/h LiFePO ₄	LSP6175LXP3
DALI	165 lm	100 lm	M	3 h	3.2V 1.8A/h LiFePO ₄	LSP6175LAP3

M: Maintained.

For version in black colour, add an 'N' at the end of the part number.

SPACING TABLE

ESCAPE ROUTE LENS

LSP6175LXP3 = 165 lm

Mounting Height	0.5 lux				1 lux			
	⌀ ↔ ○	○ ↔ ○	○ ↔ ○	○ ↔ ⌀	⌀ ↔ ○	○ ↔ ○	○ ↔ ○	○ ↔ ⌀
2.0 m	2.72 m	6.17 m	17.37 m	7.66 m	2.37 m	5.45 m	16.06 m	7.09 m
2.5 m	3.13 m	7.09 m	20.27 m	8.91 m	2.54 m	6.27 m	18.52 m	8.15 m
3 m	3.42 m	8.01 m	22.89 m	10.05 m	2.48 m	6.85 m	20.82 m	9.09 m
3.5 m	3.58 m	8.81 m	25.36 m	11.09 m	2.41 m	7.16 m	22.91 m	9.94 m
4 m	3.56 m	9.49 m	27.69 m	12.04 m	2.28 m	7.12 m	24.83 m	9.80 m
4.5 m	3.49 m	9.87 m	29.86 m	12.92 m	2.08 m	6.98 m	26.61 m	8.69 m

ANTI-PANIC LENS

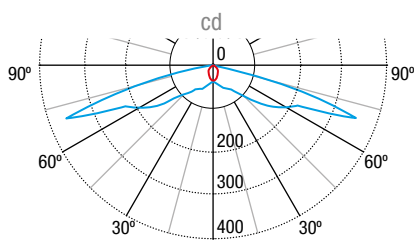
LSP6175LXP3 = 165 lm

Mounting Height	0.5 lux				1 lux			
	⌀ ↔ ○	○ ↔ ○	○ ↔ ○	○ ↔ ⌀	⌀ ↔ ○	○ ↔ ○	○ ↔ ○	○ ↔ ⌀
2.0 m	3.67 m	8.32 m	8.32 m	3.67 m	3.22 m	7.41 m	7.41 m	3.22 m
2.5 m	4.21 m	9.66 m	9.66 m	4.21 m	3.64 m	8.47 m	8.47 m	3.64 m
3.0 m	4.69 m	10.82 m	10.82 m	4.69 m	3.97 m	9.43 m	9.43 m	3.97 m
3.5 m	5.10 m	11.87 m	11.87 m	5.10 m	4.23 m	10.25 m	10.25 m	4.23 m
4.0 m	5.45 m	12.86 m	12.86 m	5.45 m	4.41 m	10.95 m	10.95 m	4.41 m
4.5 m	5.74 m	13.75 m	13.75 m	5.74 m	4.53 m	11.53 m	11.53 m	4.53 m

PHOTOMETRIC GUIDE

ESCAPE ROUTE LENS

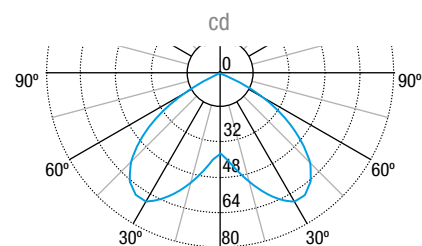
LSP6175LXP3 = 165 lm



— C0 - C180 — C90 - C270

ANTI-PANIC LENS

LSP6175LXP3 = 165 lm



— C0 - C180 — C90 - C270