



Real size



SPAZIO PLUS



SPECIFICATION

| | | |
|---------|----------|---|
| Wall | Surface | ✓ |
| | Recessed | ✓ |
| Ceiling | Surface | ✓ |
| | Recessed | ✓ |

Polycarbonate body

Escape route lens
Anti-panic lens
Asymmetrical wall lens

IP42

IK04

165 lm

Duration: 3 h · Battery: LiFePO₄

Charging time: 12 h

Supply: 230 V - 50 Hz

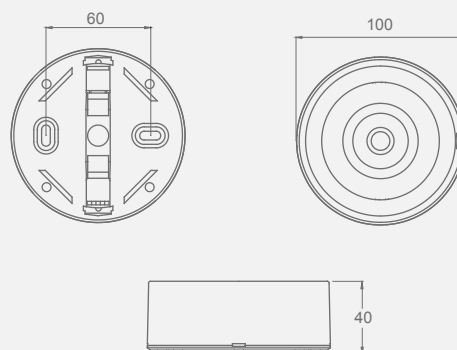
LED temperature: 4000 °K

Working temperature: 0 °C to +40 °C

AutoTest



DIMENSIONS (mm)



STANDARDS COMPLIANCE

EN-60598-2-22
AutoTest: EN-62034
DALI: EN 62386

CERTIFICATIONS



RANGE

| | Emergency | Mains | Type* | Dur. | Battery | Part Number |
|----------|-----------|--------|-------|------|---------------------------------|-------------|
| AutoTest | 165 lm | 100 lm | M/NM | 3 h | 3.2V 1.8A/h LiFePO ₄ | LSP3175LXP3 |
| DALI | 165 lm | 100 lm | M/NM | 3 h | 3.2V 1.8A/h LiFePO ₄ | LSP3175LAP3 |

*M/NM: Maintained/Non Maintained. With a third terminal which allows to switch off/on the Maintained mode when connected to mains supply.

All part numbers are supplied with antipanic and evacuation lens. For Asymmetrical wall lens, please request accessory ALP0012.

For version in black colour, add an 'N' at the end of the part number.

SPACING TABLE

ESCAPE ROUTE LENS

LSP3175LXP3 = 165 lm

| Mounting Height | 0.5 lux | | | | 1 lux | | | |
|-----------------|---------|--------|---------|---------|--------|--------|---------|--------|
| | ⌘ ↔ ○ | ○ ↔ ○ | ○ ↔ ○ | ○ ↔ ⌘ | ⌘ ↔ ○ | ○ ↔ ○ | ○ ↔ ○ | ○ ↔ ⌘ |
| 2.0 m | 2.72 m | 6.17 m | 17.37 m | 7.66 m | 2.37 m | 5.45 m | 16.06 m | 7.09 m |
| 2.5 m | 3.13 m | 7.09 m | 20.27 m | 8.91 m | 2.54 m | 6.27 m | 18.52 m | 8.15 m |
| 3 m | 3.42 m | 8.01 m | 22.89 m | 10.05 m | 2.48 m | 6.85 m | 20.82 m | 9.09 m |
| 3.5 m | 3.58 m | 8.81 m | 25.36 m | 11.09 m | 2.41 m | 7.16 m | 22.91 m | 9.94 m |
| 4 m | 3.56 m | 9.49 m | 27.69 m | 12.04 m | 2.28 m | 7.12 m | 24.83 m | 9.80 m |
| 4.5 m | 3.49 m | 9.87 m | 29.86 m | 12.92 m | 2.08 m | 6.98 m | 26.61 m | 8.69 m |

ANTI-PANIC LENS

LSP3175LXP3 = 165 lm

| Mounting Height | 0.5 lux | | | | 1 lux | | | |
|-----------------|---------|---------|---------|--------|--------|---------|---------|--------|
| | ⌘ ↔ ○ | ○ ↔ ○ | ○ ↔ ○ | ○ ↔ ⌘ | ⌘ ↔ ○ | ○ ↔ ○ | ○ ↔ ○ | ○ ↔ ⌘ |
| 2.0 m | 3.67 m | 8.32 m | 8.32 m | 3.67 m | 3.22 m | 7.41 m | 7.41 m | 3.22 m |
| 2.5 m | 4.21 m | 9.66 m | 9.66 m | 4.21 m | 3.64 m | 8.47 m | 8.47 m | 3.64 m |
| 3.0 m | 4.69 m | 10.82 m | 10.82 m | 4.69 m | 3.97 m | 9.43 m | 9.43 m | 3.97 m |
| 3.5 m | 5.10 m | 11.87 m | 11.87 m | 5.10 m | 4.23 m | 10.25 m | 10.25 m | 4.23 m |
| 4.0 m | 5.45 m | 12.86 m | 12.86 m | 5.45 m | 4.41 m | 10.95 m | 10.95 m | 4.41 m |
| 4.5 m | 5.74 m | 13.75 m | 13.75 m | 5.74 m | 4.53 m | 11.53 m | 11.53 m | 4.53 m |

ASYMMETRICAL WALL LENS

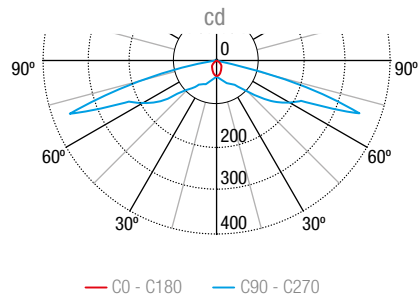
LSP3175LXP3 = 165 lm

| Mounting Height | 0.5 lux | | | | 1 lux | | | |
|-----------------|---------|---------|---------|--------|--------|---------|---------|--------|
| | ⌘ ↔ ○ | ○ ↔ ○ | ○ ↔ ○ | ○ ↔ ⌘ | ⌘ ↔ ○ | ○ ↔ ○ | ○ ↔ ○ | ○ ↔ ⌘ |
| 2.0 m | 3.13 m | 7.31 m | 9.79 m | 4.64 m | 2.73 m | 6.40 m | 8.17 m | 3.89 m |
| 2.5 m | 3.56 m | 8.33 m | 10.90 m | 5.18 m | 3.14 m | 7.30 m | 9.03 m | 4.31 m |
| 3.0 m | 4.02 m | 9.35 m | 11.87 m | 5.66 m | 3.46 m | 8.17 m | 9.69 m | 4.61 m |
| 3.5 m | 4.41 m | 10.24 m | 12.71 m | 6.07 m | 3.71 m | 8.95 m | 10.22 m | 4.85 m |
| 4.0 m | 4.76 m | 11.10 m | 13.42 m | 6.39 m | 3.87 m | 9.64 m | 10.60 m | 5.03 m |
| 4.5 m | 5.04 m | 11.95 m | 14.00 m | 6.66 m | 3.89 m | 10.15 m | 10.88 m | 5.14 m |

PHOTOMETRIC GUIDE

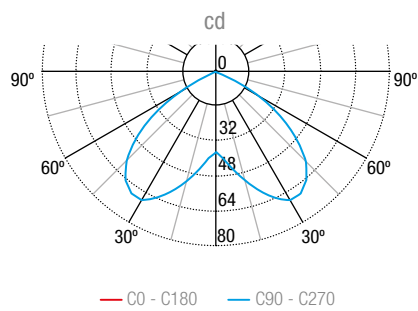
ESCAPE ROUTE LENS

LSP3175LXP3 = 165 lm



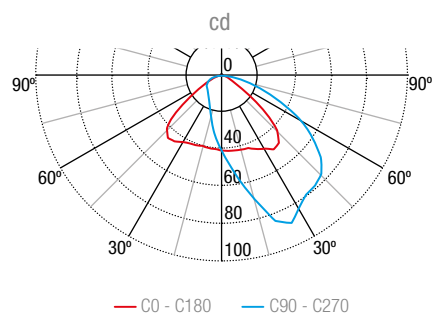
ANTI-PANIC LENS

LSP3175LXP3 = 165 lm



ASYMMETRICAL WALL LENS

LSP3175LXP3 = 165 lm





ACCESSORIES

INTERCHANGEABLE LENS



Supplied with luminaire
ANTI-PANIC LENS and ESCAPE ROUTE LENS



ALP0012
ASYMMETRICAL WALL LENS