



Screen- printed pictogram.
Please refer to range table for part numbers

SPAZIO SIGN

SPECIFICATION

Wall	Surface	x
	Recessed	x
Ceiling	Surface	x
	Recessed	✓

Polycarbonate body

IP40

IK04

Duration: 3 h · Battery: LiFePO₄

Charging time: 12 h

Supply: 230 V - 50 Hz

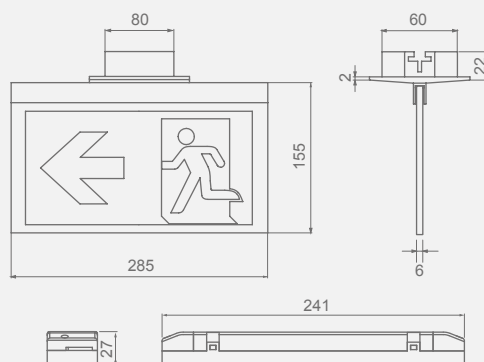
LED temperature: 4000 °K

Working temperature: 0 °C to +40 °C

AutoTest



DIMENSIONS (mm)



VIEWING DISTANCE



STANDARDS COMPLIANCE

EN-60598-2-22
Pictographs: EN ISO7010
AutoTest: EN-62034
Dali: EN 62386

CERTIFICATIONS



		RANGE			
	Type*	Pictogram	Dur.	Battery	Part Number
AutoTest	M	Right / Left	3 h	3.2V 1.5A/h LiFePO ₄	LSS3045LXP3
	M	Up / Down	3 h	3.2V 1.5A/h LiFePO ₄	LSS3046LXP3
DALI	M	Right / Left	3 h	3.2V 1.5A/h LiFePO ₄	LSS3045LAP3
	M	Up / Down	3 h	3.2V 1.5A/h LiFePO ₄	LSS3046LAP3

*M: Maintained.

